

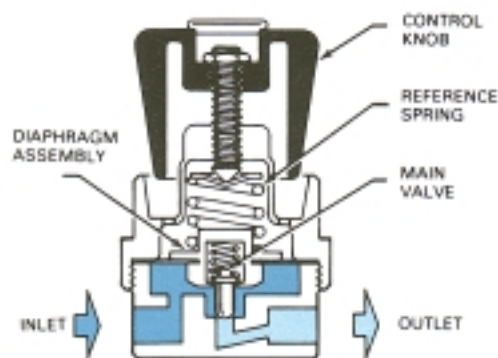
SENSITIVE

BACK PRESSURE REGULATOR

26-2300 SERIES



DOME LOADED



FUNCTIONAL SCHEMATIC

HIGH ACCURACY • DIAPHRAGM SENSITIVITY • HIGH FLOW

The 26-2300 Series back pressure regulators are designed for precise pressure control not attainable with conventional relief valves. This unit is available with controlled pressure ranges of 5-50, 10-150 and 10-250 PSIG (.34-3.45, .69-10, .69-17.2 bar).

The 26-2300 features a sensitive diaphragm with a large sensing to seat area ratio which produces a low crack to reseal pressure differential and excellent repeatability. The spherically shaped valve assures perfect alignment with the soft Teflon® seat which provides bubble tight shut-off at all reseating pressures.

Possible applications for this model would include: maintaining a precise system back pressure, parallel operation with large relief valves to eliminate actuation of relief valves due to slight pressure changes, and relief systems requiring frequent changes in relief pressure settings.

- Crack to reseal – 2% of set pressure
- Can be used with gases or liquids
- Easily adjusted, low torque handknob control
- Bubble tight shut-off at all reseal pressures
- Panel mounting standard
- Adaptable to Tescom air actuator and ER3000 Electropneumatic PID Controller
- Dome load model available
- Standard diaphragm material is Buna-N – other materials including 316 SST are available

TYPICAL APPLICATIONS

- Compressors
- Controlling Pump Pressures
- Research Labs
- Industrial Controls
- Manufacturing Processes
- Gas and Liquid Sampling
- Test Stands

TESCOM
CORPORATION

INDUSTRIAL CONTROLS DIVISION

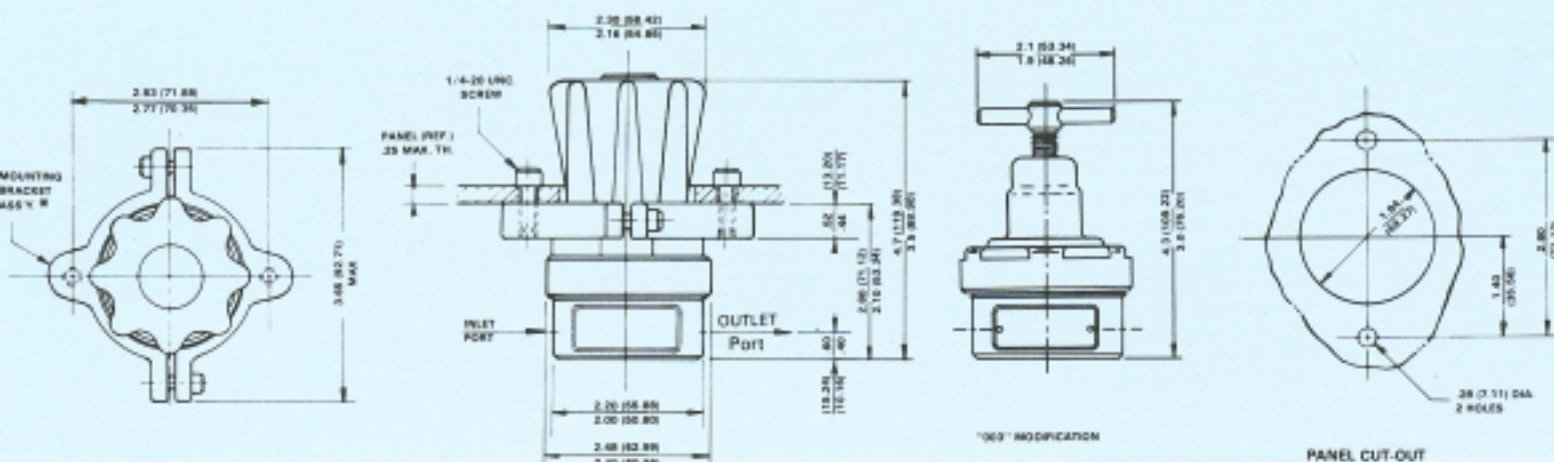
12616 Industrial Boulevard
Elk River, Minnesota 55330-2491

(612) 241-3238 FAX (612) 241-3224

INSTALLATION DIMENSIONS

METRIC EQUIVALENTS ARE IN PARENTHESES
ALL DIMENSIONS ARE REFERENCE

26-2300 SERIES



*Panel mounting bracket standard

SPECIFICATIONS

FLUID MEDIA - All gases and liquids compatible with materials of construction. For other media, consult factory. **

PRESSURE RATING - Per criteria of ANSI / ASME B31.3.

Maximum control pressure ranges 5-50, 10-150, 10-250 PSIG
(.34-3.45, .69-10, .69-17.2 bar)

Design inlet proof pressure 150% maximum operating

Materials:

- Body 303 or 316 Stainless Steel or Aluminum 2024
- Main valve seat Teflon®
- Diaphragm Buna-N
- Seals Teflon® and Buna-N
- Trim 300 Series Stainless Steel

Flow capacity $C_v = .60$

Leakage Bubble tight

Operating temperature ¹ -15°F to +165°F (-26°C to +75°C)

Weight Stainless models: 2 1/4 lbs. (1.1 kg)
Aluminum model: 1 1/4 lbs. (.55 kg)

Ports See Ordering Information

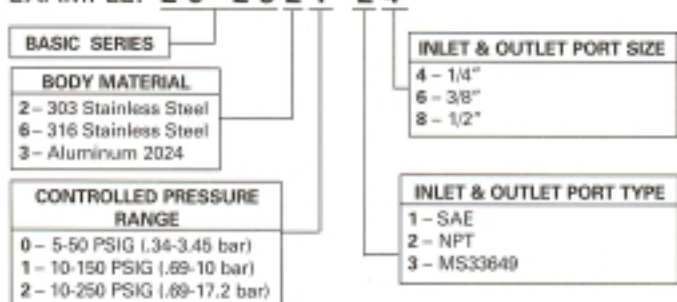
Maximum operating torque 25 in.-lb. (2.8 Nm)

¹ For extended temperatures from -65°F to +400°F, consult factory.

****NOTE:** Tescom may make suggestions for a material to use with a specific media. These suggestions will be based on technical compatibility resources both through associations and manufacturers. Tescom does not guarantee the material to be compatible with the specific media - this is the responsibility of the user. Users must test under their own operating conditions to determine the suitability of any material in a particular application.

ORDERING INFORMATION

EXAMPLE: **2 6 - 2 3 2 1 - 2 4**



OPTIONS

Other C_v values are available from .12 to 1.00 at additional cost. Consult factory for details.

ACCESSORIES

- Soft good kit (standard models only) P/N 389-1779
- Standard repair kit (soft & metallic) P/N 389-1162

Consult factory for Repair Kits for regulator modifications.

STANDARD MODIFICATIONS

Add suffix '003' to part number to specify cross bar adjustment without panel mounting bracket.

Add suffix '031' to part number to specify standard model for use up to 500 PSIG (34.5 bar) service.

Add suffix '043' to part number to specify stainless steel diaphragm and Teflon® soft goods.

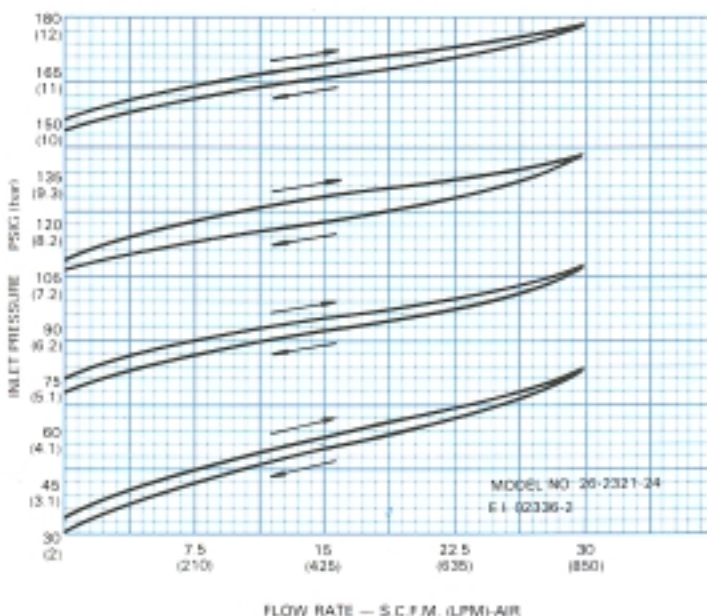
Add suffix '144' to part number to specify dome loaded, 500 PSIG maximum service pressure, stainless steel diaphragm.

Add suffix '061' to part number to specify Viton-A® seal and diaphragm.

Add suffix '074' to part number to specify negative biased configuration for BIBS applications and vacuum regulation.

OXYGEN SERVICE: Specification of materials in regulators used in oxygen service is the **USER'S RESPONSIBILITY**. Cleaning for oxygen service per the requirements of ASTM G93 and CGA G-4.1 can be supplied by Tescom.

FLOW CHART metric units are in parentheses) REGULATOR DISCHARGE CHARACTERISTICS CURVES



FLOW RATE - S.C.F.M. (LPM) AIR